

LIFE-LIKE

PASSENGER CAR

#28 TRUCK (TALGO) MOUNTED COUPLER CONVERSION

1. Assemble the #28 Coupler into the truck mounted coupler box according to the instructions. See Fig.1.
2. Check for correct coupler height, function, and clearance and make any adjustments necessary.

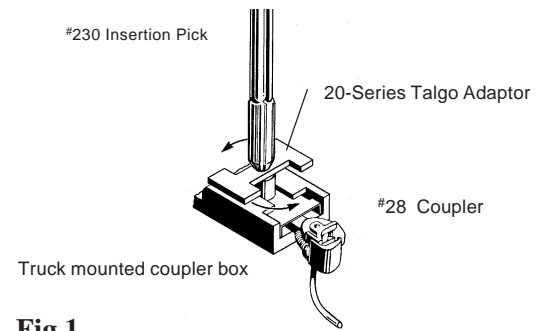


Fig.1

#28 Truck Installation